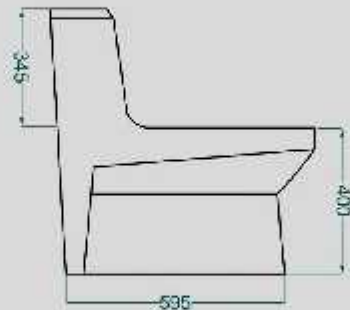
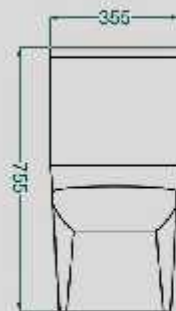
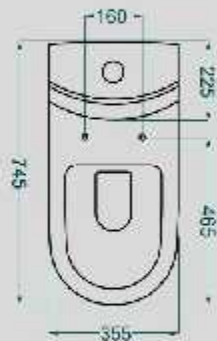




وینر WINNER

ONE PIECE TOILET

GOLSAR
SANITARYWARE



Technical Information (mm)

S Trap: 260

Outlet Diameter: 100



Real True
36° Flush Valve



High Quality
Vitrified



Self-Cleaning Coat



Testing Tank



Maximum Weight
Up to 400 kg



ISO 9001
Standard